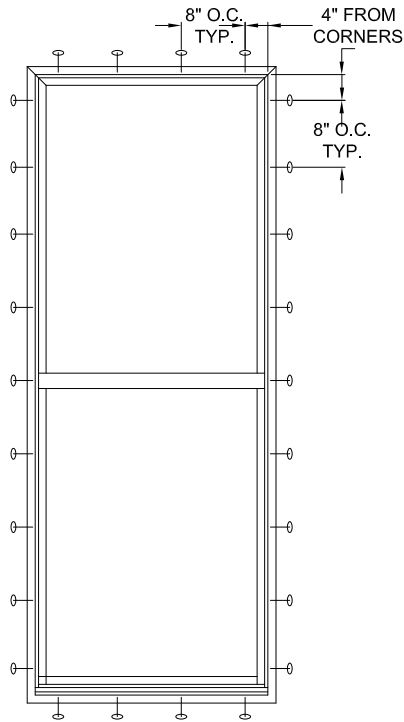
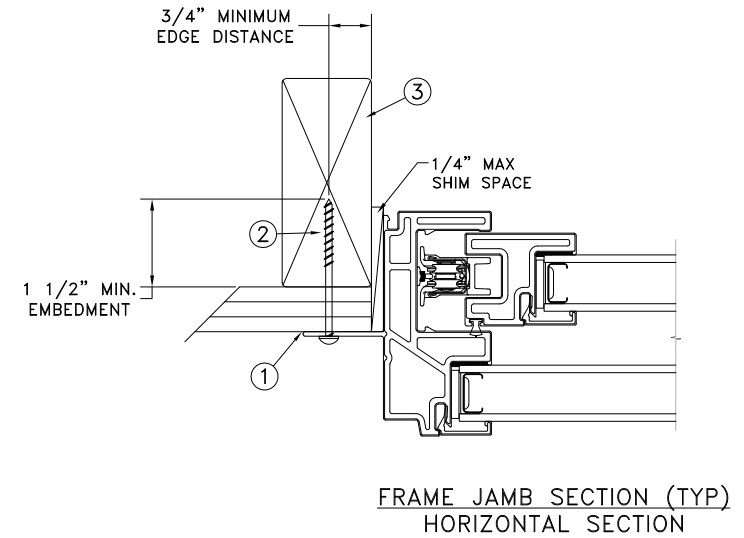
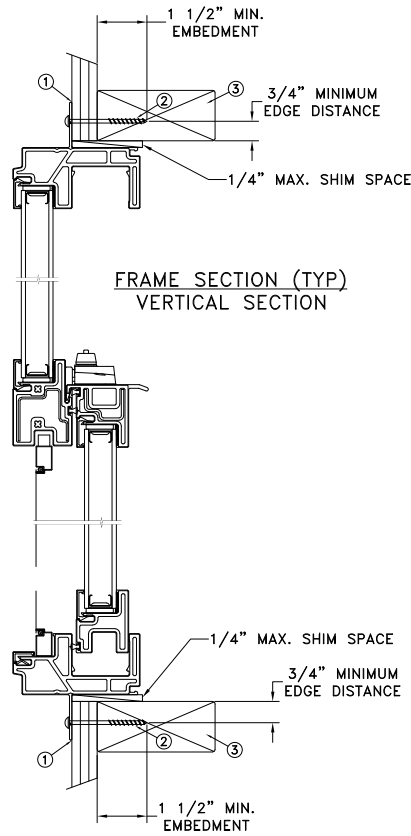


NAILFIN/WOOD  
INSTALLATION



TYPICAL ELEVATION WITH FASTENER SPACING



MAXIMUM FRAME	DP	IMPACT
36" x 96"	+50/-55	NO

**Installation Notes:**

1. Seal flange/frame to substrate. Sill shall be set on a continuous serpentine bead of structural grade silicone caulk when no fastener is used to anchor the sill (typical).
2. Use #8 PH or greater fastener through the nailing flange with sufficient length to penetrate a minimum of 1 1/2" into the wood framing. For 2x wood frame substrate (min. S.G. = 0.42)
3. Host structure (wood buck, masonry, steel) to be designed and anchored to properly transfer all loads to the structure. The host structure is the responsibility of the architect or engineer of record for the project of installation.

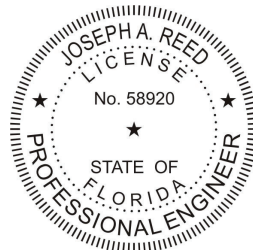
**General Notes:**

1. The product shown herein is designed, tested and manufactured to comply with the wind load criteria of the adopted International Building Code (IBC), the International Residential Code (IRC), the current Florida Building Code (FBC) and the industry requirement for the stated conditions.
2. All glazing shall conform to ASTM E1300.
3. Use structural or composite shims where required.

This schedule addresses only the fasteners required to anchor the unit to achieve the rated design pressure and impact performance (where applicable) up to the size limitations noted. It is not intended as a guide to the installation process and does not address the sealing consideration that may arise in different wall conditions. For the complete installation procedure, see the instructions packaged with the unit or go to [www.jeld-wen.com](http://www.jeld-wen.com).

**DISCLAIMER:**

This drawing and its contents are confidential and are not to be reproduced or copied in whole or in part or used or disclosed to others except as authorized by JELD-WEN Inc.

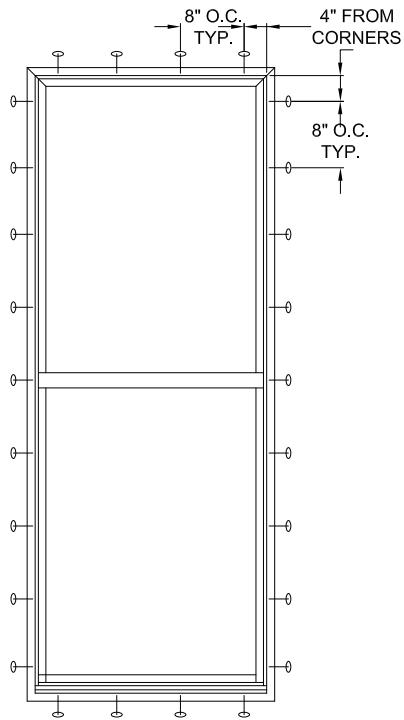


*Joseph A. Reed*

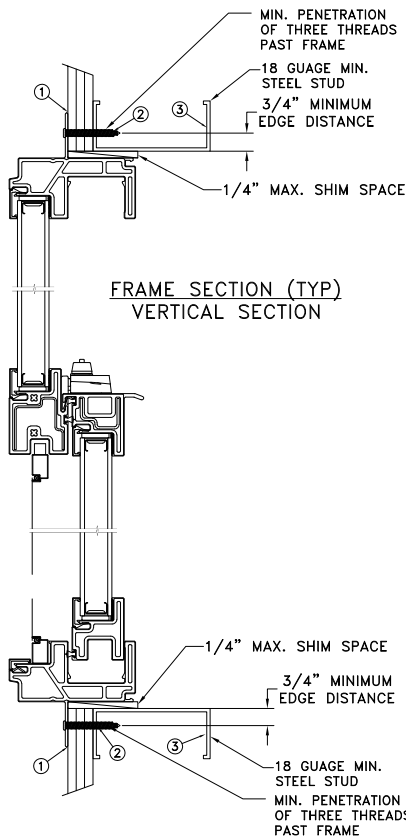
2020.02.11 08:21:01 -05'00'

JOSEPH A. REED, P.E.  
Florida P.E. No. 58920, REG. No. 33474  
5 Leigh Drive  
York, PA. 17406  
(717) 846-1200

DATE: 02/06/2020		3737 LAKEPORT BLVD. KLAMATH FALLS OR, 97601 PHONE: (800) 535-3936
DRAWN BY: J.HAWKINS		SCALE: NTS
CHECKED BY: D.BELAU	TITLE: Auraline Composite Side Load Single Hung	
APPROVED BY: K.BATH		
RECORD No.: D015631		
REPORT No.: NCTL-310-19-137-R0	CAD DWG. No.: AuralineCompSLSH Cert	REV: A SHEET 1 of 9

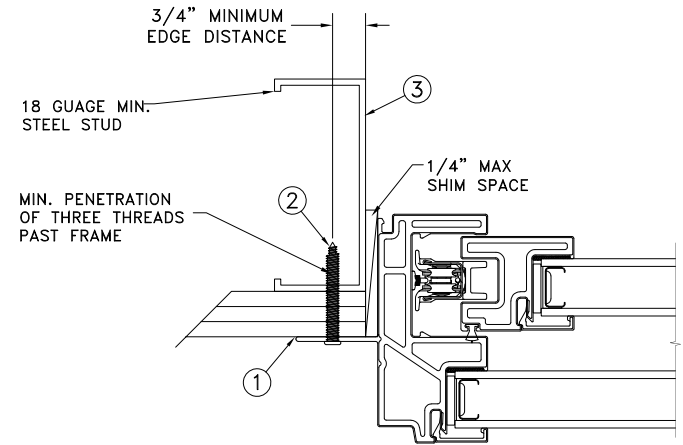


TYPICAL ELEVATION WITH FASTENER SPACING



FRAME SECTION (TYP)  
VERTICAL SECTION

NAILFIN/STEEL  
INSTALLATION



FRAME JAMB SECTION (TYP)  
HORIZONTAL SECTION

MAXIMUM FRAME	DP	IMPACT
36" x 96"	+50/-55	NO

Installation Notes:

1. Seal flange/frame to substrate. Sill shall be set on a continuous serpentine bead of structural grade silicone caulk when no fastener is used to anchor the sill (typical).
2. For anchoring through nailfin into metal framing use #10 TEK Self-Tapping screws with sufficient length to achieve a minimum penetration of three threads past the frame thickness. Steel substrate min. 18ga.,  $f_y = 33$  ksi.
3. Host structure (wood buck, masonry, steel) to be designed and anchored to properly transfer all loads to the structure. The host structure is the responsibility of the architect or engineer of record for the project of installation.

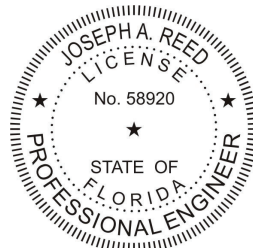
General Notes:

1. The product shown herein is designed, tested and manufactured to comply with the wind load criteria of the adopted International Building Code (IBC), the International Residential Code (IRC), the current Florida Building Code (FBC) and the industry requirement for the stated conditions.
2. All glazing shall conform to ASTM E1300.
3. Use structural or composite shims where required.

This schedule addresses only the fasteners required to anchor the unit to achieve the rated design pressure and impact performance (where applicable) up to the size limitations noted. It is not intended as a guide to the installation process and does not address the sealing consideration that may arise in different wall conditions. For the complete installation procedure, see the instructions packaged with the unit or go to [www.jeld-wen.com](http://www.jeld-wen.com).

DISCLAIMER:

This drawing and its contents are confidential and are not to be reproduced or copied in whole or in part or used or disclosed to others except as authorized by JELD-WEN Inc.



*Joseph A. Reed*

2020.02.11 08:21:01 -05'00'

JOSEPH A. REED, P.E.  
Florida P.E. No. 58920, REG. No. 33474  
5 Leigh Drive  
York, PA. 17406  
(717) 846-1200

DATE:  
02/06/2020

SCALE:  
NTS

TITLE:

**JELD-WEN**

3737 LAKEPORT BLVD.  
KLAMATH FALLS OR, 97601  
PHONE: (800) 535-3936

Auraline Composite Side Load Single Hung

DRAWN BY:  
J.HAWKINS

CHECKED BY:  
D.BELAU

APPROVED BY:  
K.BATH

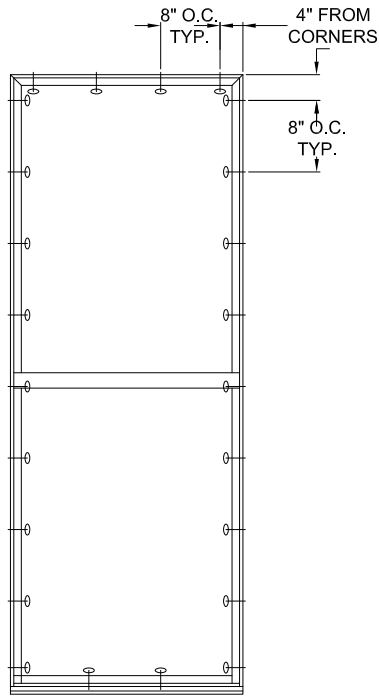
RECORD No.:  
D015631

REPORT No.:  
NCTL-310-19-137-R0

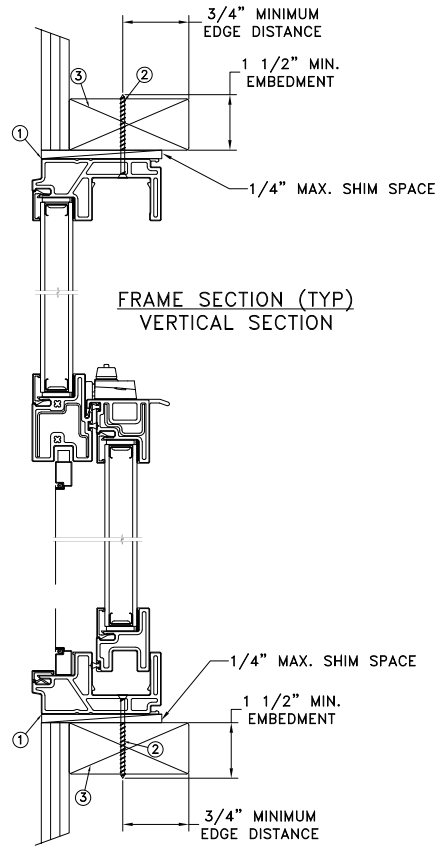
CAD DWG. No.:  
AuralineCompSLSH Cert

REV: A

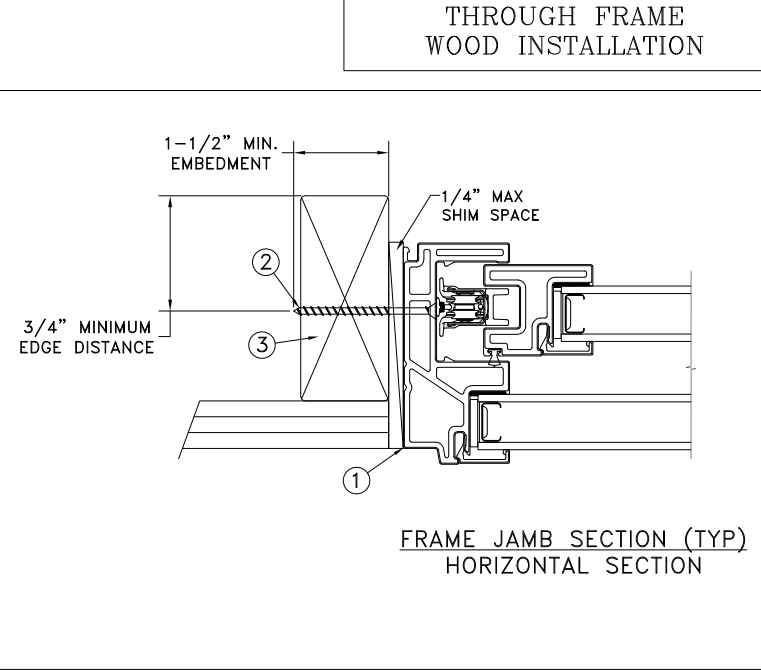
SHEET 2 of 9



TYPICAL ELEVATION WITH FASTENER SPACING



FRAME SECTION (TYP)  
VERTICAL SECTION



THROUGH FRAME  
WOOD INSTALLATION

FRAME JAMB SECTION (TYP)  
HORIZONTAL SECTION

MAXIMUM FRAME	DP	IMPACT
36" x 96"	+50/-55	NO

**Installation Notes:**

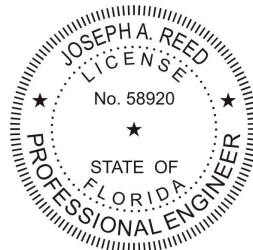
1. Seal flange/frame to substrate. Sill shall be set on a continuous serpentine bead of structural grade silicone caulk when no fasteners are used to anchor the sill (typical).
2. Use #8 PH or greater fastener through the head, side and sill with sufficient length to penetrate a minimum of 1 1/2" into the wood framing. For 2x wood frame substrate (min. S.G. = 0.42)
3. Host structure (wood buck, masonry, steel) to be designed and anchored to properly transfer all loads to the structure. The host structure is the responsibility of the architect or engineer of record for the project of installation.

**General Notes:**

1. The product shown herein is designed, tested and manufactured to comply with the wind load criteria of the adopted International Building Code (IBC), the International Residential Code (IRC), the current Florida Building Code (FBC) and the industry requirement for the stated conditions.
2. All glazing shall conform to ASTM E1300.
3. Use structural or composite shims where required.

This schedule addresses only the fasteners required to anchor the unit to achieve the rated design pressure and impact performance (where applicable) up to the size limitations noted. It is not intended as a guide to the installation process and does not address the sealing consideration that may arise in different wall conditions. For the complete installation procedure, see the instructions packaged with the unit or go to [www.jeld-wen.com](http://www.jeld-wen.com).

**DISCLAIMER:**  
This drawing and its contents are confidential and are not to be reproduced or copied in whole or in part or used or disclosed to others except as authorized by JELD-WEN Inc.

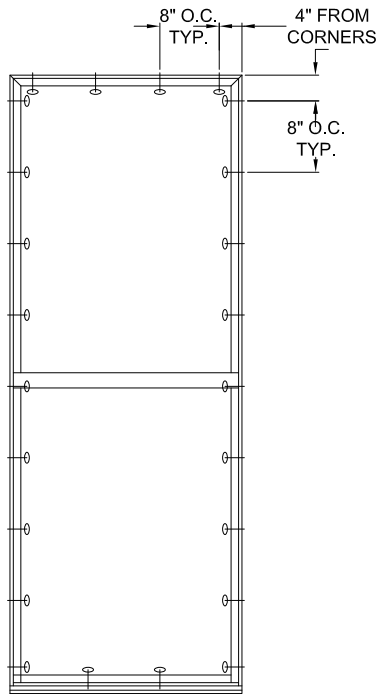


*Joseph A. Reed*

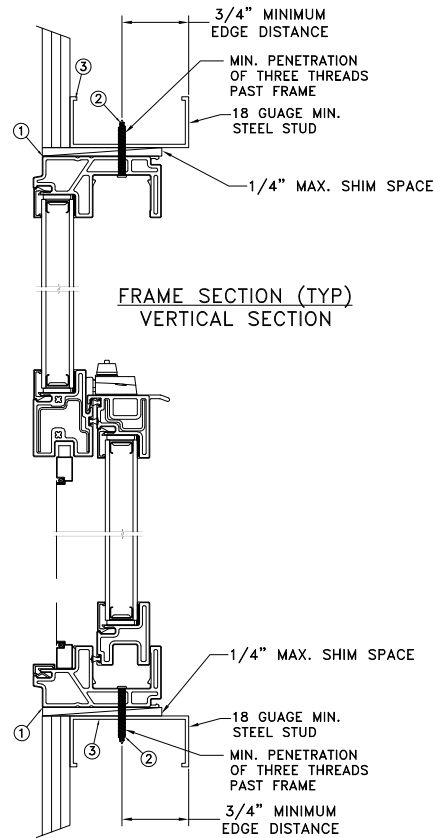
2020.02.11 08:21:01 -05'00'

JOSEPH A. REED, P.E.  
Florida P.E. No. 58920, REG. No. 33474  
5 Leigh Drive  
York, PA. 17406  
(717) 846-1200

DATE: 02/06/2020		3737 LAKEPORT BLVD. KLAMATH FALLS OR, 97601 PHONE: (800) 535-3936
SCALE: NTS		
DRAWN BY: J.HAWKINS	TITLE: Auraline Composite Side Load Single Hung	
CHECKED BY: D.BELAU		
APPROVED BY: K.BATH		
RECORD No.: D015631		
REPORT No.: NCTL-310-19-137-R0	CAD DWG. No.: AuralineCompSLSH Cert	REV: A SHEET 3 of 9

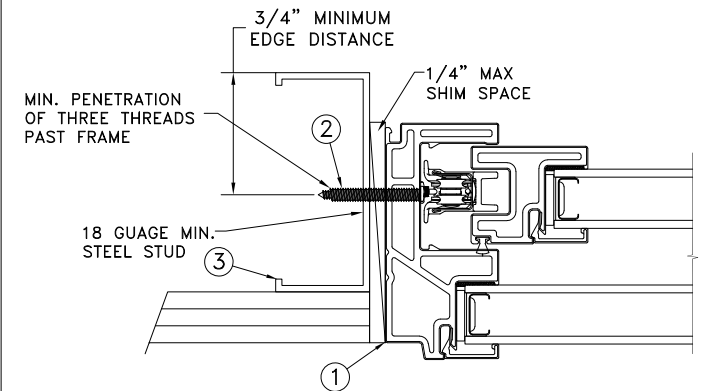


TYPICAL ELEVATION WITH FASTENER SPACING



FRAME SECTION (TYP)  
VERTICAL SECTION

THROUGH FRAME  
STEEL INSTALLATION



FRAME JAMB SECTION (TYP)  
HORIZONTAL SECTION

MAXIMUM FRAME	DP	IMPACT
36" x 96"	+50/-55	NO

Installation Notes:

1. Seal flange/frame to substrate. Sill shall be set on a continuous serpentine bead of structural grade silicone caulk when no fastener is used to anchor the sill (typical).
2. For anchoring through head, side and sill into metal framing use #10 TEK Self-Tapping screws with sufficient length to achieve a minimum penetration of three threads past the frame thickness. Steel substrate min. 18ga., fy = 33 ksi.
3. Host structure (wood buck, masonry, steel) to be designed and anchored to properly transfer all loads to the structure. The host structure is the responsibility of the architect or engineer of record for the project of installation.

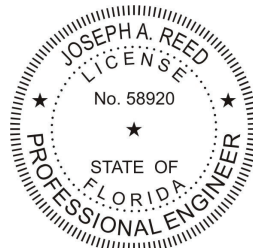
General Notes:

1. The product shown herein is designed, tested and manufactured to comply with the wind load criteria of the adopted International Building Code (IBC), the International Residential Code (IRC), the current Florida Building Code (FBC) and the industry requirement for the stated conditions.
2. All glazing shall conform to ASTM E1300.
3. Use structural or composite shims where required.

This schedule addresses only the fasteners required to anchor the unit to achieve the rated design pressure and impact performance (where applicable) up to the size limitations noted. It is not intended as a guide to the installation process and does not address the sealing consideration that may arise in different wall conditions. For the complete installation procedure, see the instructions packaged with the unit or go to [www.jeld-wen.com](http://www.jeld-wen.com).

DISCLAIMER:

This drawing and its contents are confidential and are not to be reproduced or copied in whole or in part or used or disclosed to others except as authorized by JELD-WEN Inc.

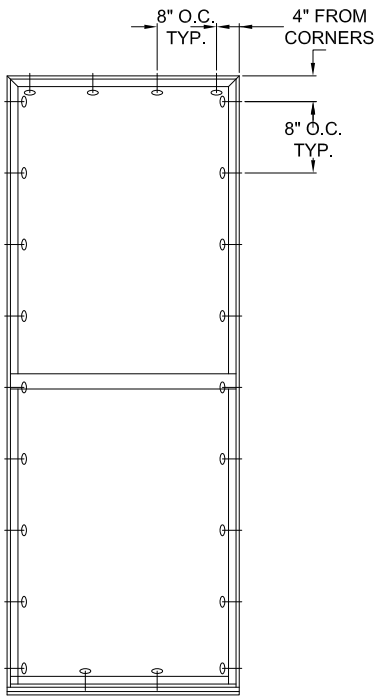


*Joseph A. Reed*

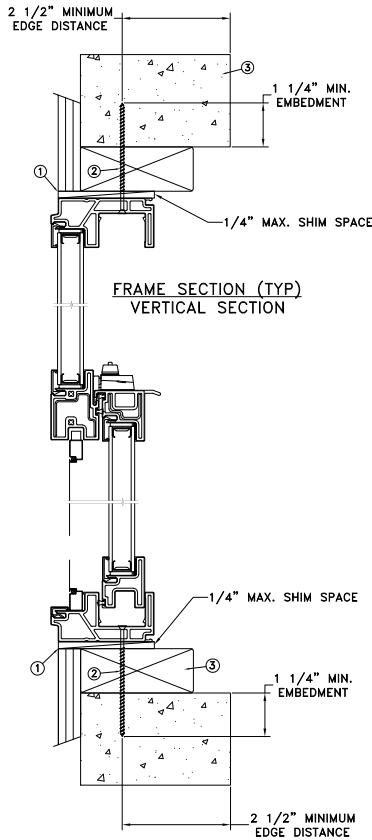
2020.02.11 08:21:01 -05'00'

JOSEPH A. REED, P.E.  
Florida P.E. No. 58920, REG. No. 33474  
5 Leigh Drive  
York, PA. 17406  
(717) 846-1200

DATE: 02/06/2020		3737 LAKEPORT BLVD. KLAMATH FALLS OR, 97601 PHONE: (800) 535-3936
SCALE: NTS		
DRAWN BY: J.HAWKINS	TITLE: Auraline Composite Side Load Single Hung	
CHECKED BY: D.BELAU		
APPROVED BY: K.BATH		
RECORD No.: D015631		
REPORT No.: NCTL-310-19-137-R0	CAD DWG. No.: AuralineCompSLSH Cert	REV: A SHEET 4 of 9

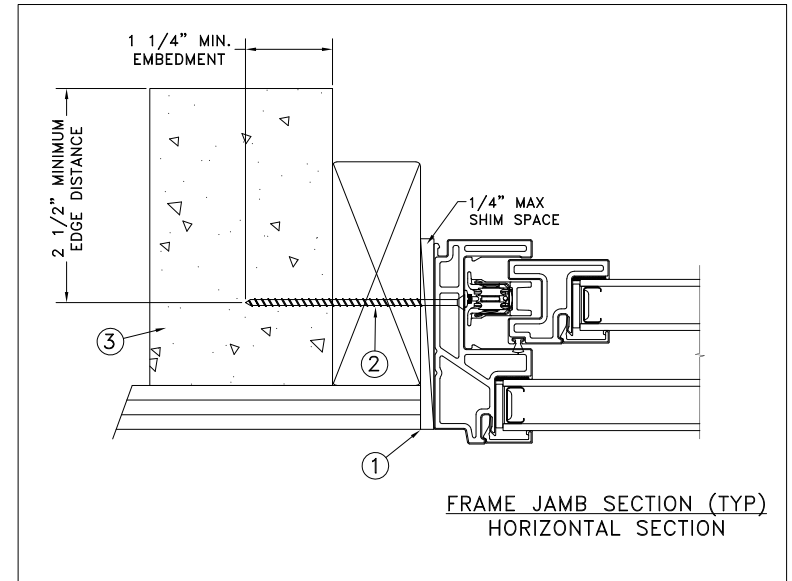


TYPICAL ELEVATION WITH FASTENER SPACING



FRAME SECTION (TYP)  
VERTICAL SECTION

THROUGH FRAME  
CONCRETE INSTALLATION



FRAME JAMB SECTION (TYP)  
HORIZONTAL SECTION

MAXIMUM FRAME	DP	IMPACT
36" x 96"	+50/-55	NO

**Installation Notes:**

1. Seal flange/frame to substrate. Sill shall be set on a continuous serpentine bead of structural grade silicone caulk when no fastener is used to anchor the sill (typical).
2. Use 3/16" Tapcon or equivalent fasteners through the head, side and sill with sufficient length to penetrate a minimum of 1 1/4" into concrete or masonry at each location with a 2 1/2" min. from edge distance. For concrete (min. fc = 3000 psi) or masonry substrate (CMU shall be ASTM C90).
3. Host structure (wood buck, masonry, steel) to be designed and anchored to properly transfer all loads to the structure. The host structure is the responsibility of the architect or engineer of record for the project of installation.

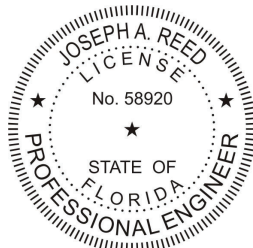
**General Notes:**

1. The product shown herein is designed, tested and manufactured to comply with the wind load criteria of the adopted International Building Code (IBC), the International Residential Code (IRC), the current Florida Building Code (FBC) and the industry requirement for the stated conditions.
2. All glazing shall conform to ASTM E1300.
3. Use structural or composite shims where required.

This schedule addresses only the fasteners required to anchor the unit to achieve the rated design pressure and impact performance (where applicable) up to the size limitations noted. It is not intended as a guide to the installation process and does not address the sealing consideration that may arise in different wall conditions. For the complete installation procedure, see the instructions packaged with the unit or go to [www.jeld-wen.com](http://www.jeld-wen.com).

**DISCLAIMER:**

This drawing and its contents are confidential and are not to be reproduced or copied in whole or in part or used or disclosed to others except as authorized by JELD-WEN Inc.



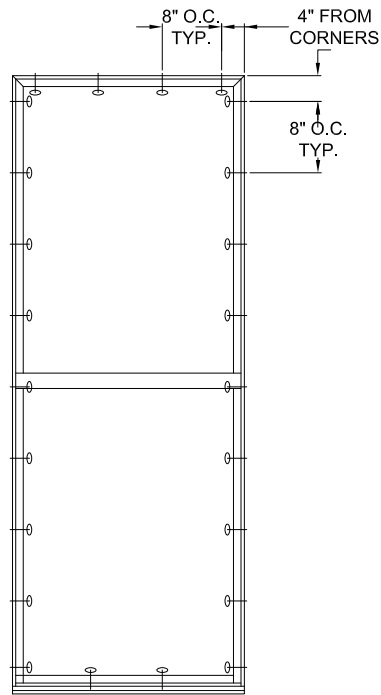
*Joseph A. Reed*

2020.02.11 08:21:01 -05'00'

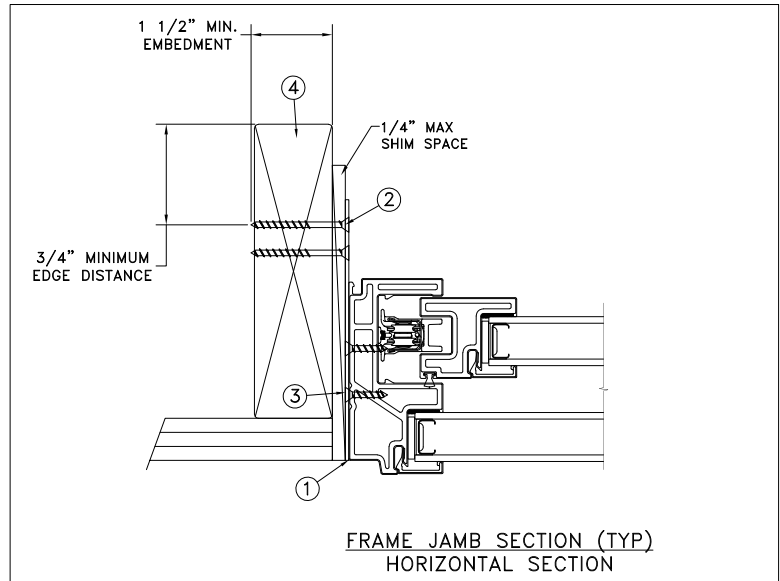
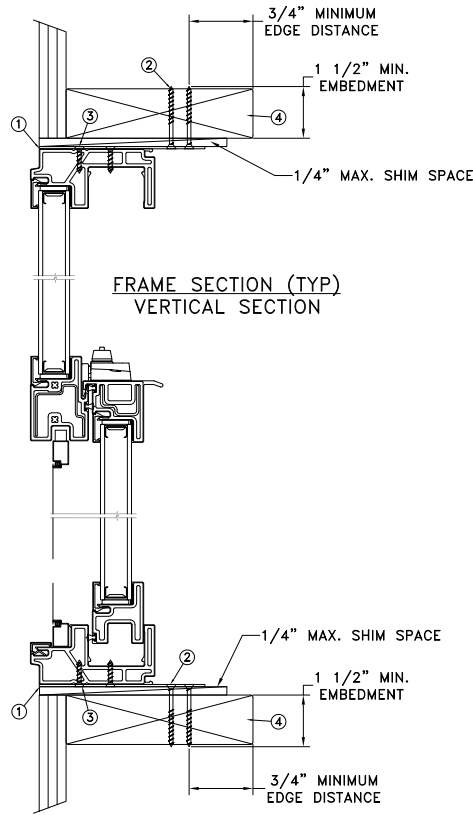
JOSEPH A. REED, P.E.  
Florida P.E. No. 58920, REG. No. 33474  
5 Leigh Drive  
York, PA. 17406  
(717) 846-1200

DATE: 02/06/2020		3737 LAKEPORT BLVD. KLAMATH FALLS OR, 97601 PHONE: (800) 535-3936
SCALE: NTS		
DRAWN BY: J.HAWKINS	TITLE: Auraline Composite Side Load Single Hung	
CHECKED BY: D.BELAU		
APPROVED BY: K.BATH		
RECORD No.: D015631		
REPORT No.: NCTL-310-19-137-R0	CAD DWG. No.: AuralineCompSLSH Cert	REV: A SHEET 5 of 9

MASONRY STRAP  
WOOD/SCREW INSTALLATION



TYPICAL ELEVATION WITH FASTENER SPACING



MAXIMUM FRAME	DP	IMPACT
36" x 96"	+50/-55	NO

**Installation Notes:**

1. Seal flange/frame to substrate. Sill shall be set on a continuous serpentine bead of structural grade silicone caulk when no fastener is used to anchor the sill (typical).
2. Use 2 - #8 PFH or larger fasteners through masonry strap with sufficient length to penetrate a minimum of 1 1/2" into the buck. For 2x wood frame substrate (min. S.G. = 0.42).
3. Use 2 - #8 PFH or larger fasteners through masonry strap into jamb without penetrating through the jamb into product causing visibility or collateral damage to product.
4. Host structure (wood buck, masonry, steel) to be designed and anchored to properly transfer all loads to the structure. The host structure is the responsibility of the architect or engineer of record for the project of installation.

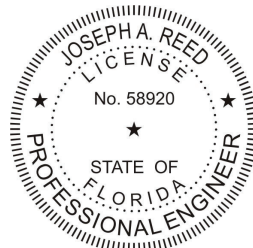
**General Notes:**

1. The product shown herein is designed, tested and manufactured to comply with the wind load criteria of the adopted International Building Code (IBC), the International Residential Code (IRC), the current Florida Building Code (FBC) and the industry requirement for the stated conditions.
2. All glazing shall conform to ASTM E1300.
3. Use structural or composite shims where required.

This schedule addresses only the fasteners required to anchor the unit to achieve the rated design pressure and impact performance (where applicable) up to the size limitations noted. It is not intended as a guide to the installation process and does not address the sealing consideration that may arise in different wall conditions. For the complete installation procedure, see the instructions packaged with the unit or go to [www.jeld-wen.com](http://www.jeld-wen.com).

**DISCLAIMER:**

This drawing and its contents are confidential and are not to be reproduced or copied in whole or in part or used or disclosed to others except as authorized by JELD-WEN Inc.



*Joseph A. Reed*

2020.02.11 08:21:01 -05'00'

JOSEPH A. REED, P.E.  
Florida P.E. No. 58920, REG. No. 33474  
5 Leigh Drive  
York, PA. 17406  
(717) 846-1200

DATE: 02/06/2020

DRAWN BY: J.HAWKINS

SCALE: NTS

CHECKED BY: D.BELAU

APPROVED BY: K.BATH

RECORD No.: D015631

REPORT No.:

**JELD-WEN**

3737 LAKEPORT BLVD.  
KLAMATH FALLS OR, 97601  
PHONE: (800) 535-3936

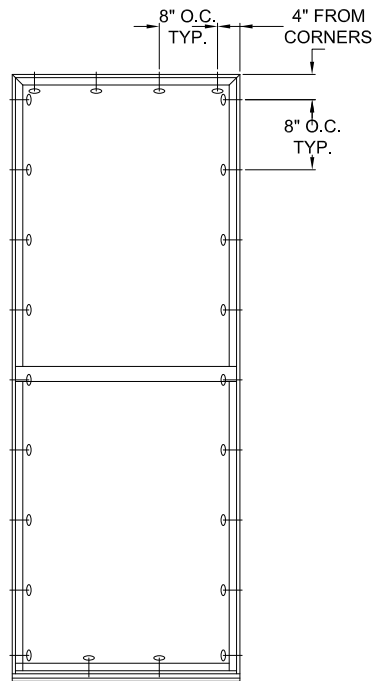
Auraline Composite Side Load Single Hung

CAD DWG. No.: AuralineCompSLSH Cert

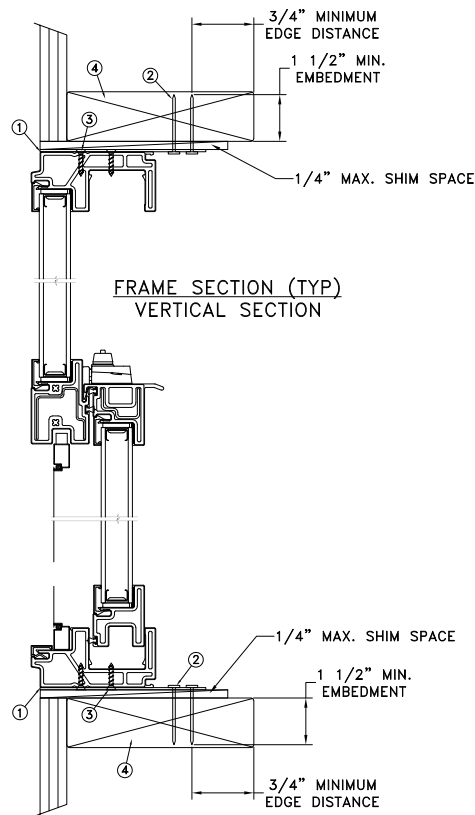
REV: A

SHEET 6 of 9

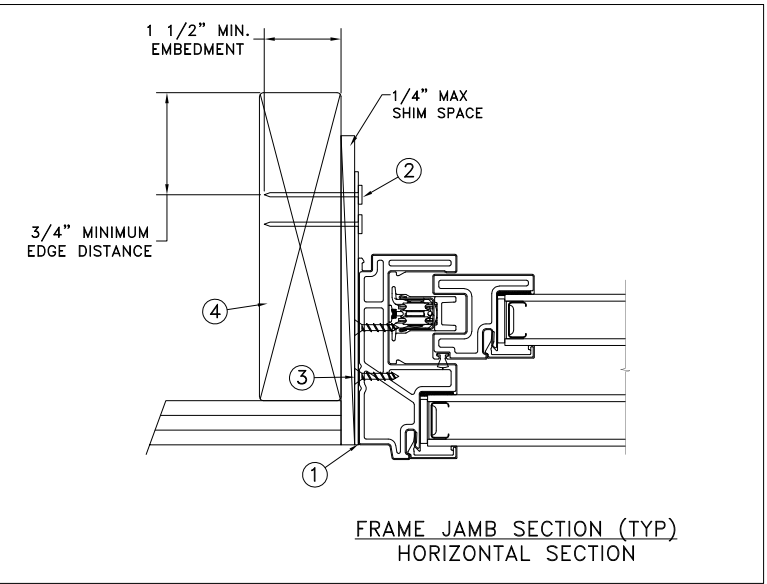
MASONRY STRAP  
WOOD/NAIL INSTALLATION



TYPICAL ELEVATION WITH FASTENER SPACING



FRAME SECTION (TYP)  
VERTICAL SECTION



FRAME JAMB SECTION (TYP)  
HORIZONTAL SECTION

MAXIMUM FRAME	DP	IMPACT
36" x 96"	+50/-55	NO

**Installation Notes:**

1. Seal flange/frame to substrate. Sill shall be set on a continuous serpentine bead of structural grade silicone caulk when no fastener is used to anchor the sill (typical).
2. Use 2 - 6d x 2" fasteners through masonry strap with sufficient length to penetrate a minimum of 1 1/2" into the buck. For 2x wood frame substrate (min. S.G. = 0.42).
3. Use 2 - #8 PFH or larger fasteners through masonry strap into jamb without penetrating through the jamb into product causing visibility or collateral damage to product.
4. Host structure (wood buck, masonry, steel) to be designed and anchored to properly transfer all loads to the structure. The host structure is the responsibility of the architect or engineer of record for the project of installation.

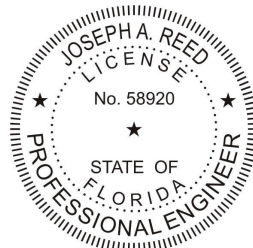
**General Notes:**

1. The product shown herein is designed, tested and manufactured to comply with the wind load criteria of the adopted International Building Code (IBC), the International Residential Code (IRC), the current Florida Building Code (FBC) and the industry requirement for the stated conditions.
2. All glazing shall conform to ASTM E1300.
3. Use structural or composite shims where required.

This schedule addresses only the fasteners required to anchor the unit to achieve the rated design pressure and impact performance (where applicable) up to the size limitations noted. It is not intended as a guide to the installation process and does not address the sealing consideration that may arise in different wall conditions. For the complete installation procedure, see the instructions packaged with the unit or go to [www.jeld-wen.com](http://www.jeld-wen.com).

**DISCLAIMER:**

This drawing and its contents are confidential and are not to be reproduced or copied in whole or in part or used or disclosed to others except as authorized by JELD-WEN Inc.



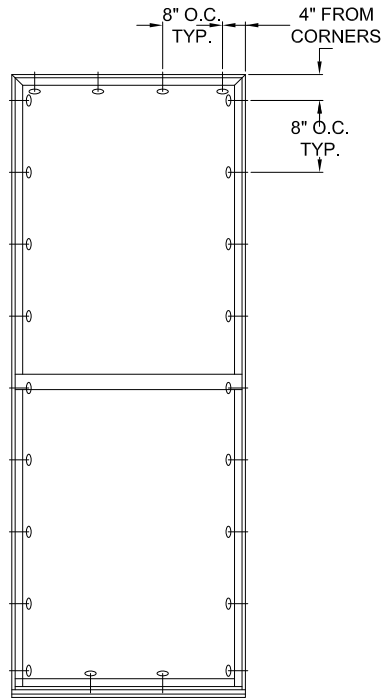
*Joseph A. Reed*

2020.02.11 08:21:01 -05'00'

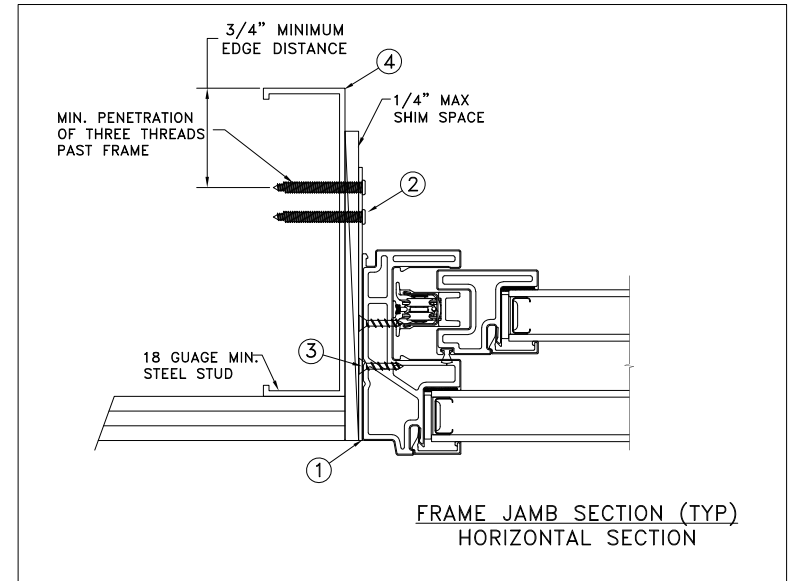
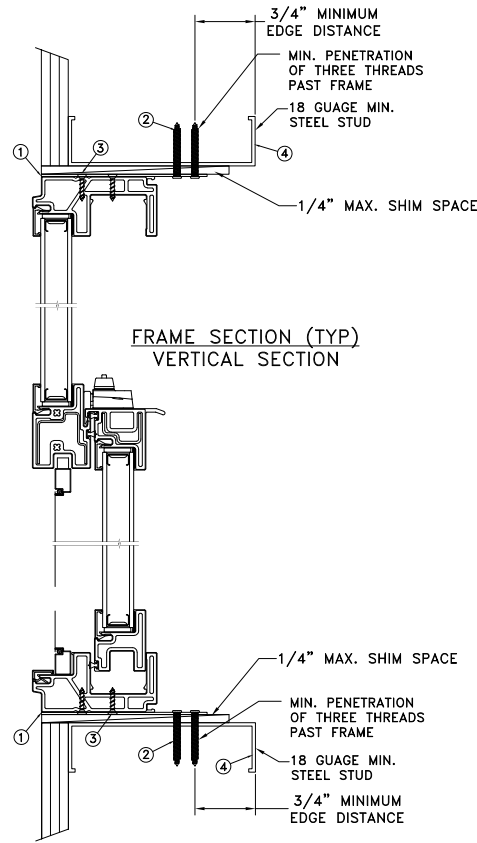
JOSEPH A. REED, P.E.  
Florida P.E. No. 58920, REG. No. 33474  
5 Leigh Drive  
York, PA. 17406  
(717) 846-1200

DATE: 02/06/2020		3737 LAKEPORT BLVD. KLAMATH FALLS OR, 97601 PHONE: (800) 535-3936
SCALE: NTS		
DRAWN BY: J.HAWKINS	<p>Auraline Composite Side Load Single Hung</p>	
CHECKED BY: D.BELAU		
APPROVED BY: K.BATH		
RECORD No.: D015631	CAD DWG. No.:	REV: A
REPORT No.:	AuralineCompSLSH Cert	SHEET 7 of 9

# MASONRY STRAP STEEL/SCREW INSTALLATION



TYPICAL ELEVATION WITH FASTENER SPACING



MAXIMUM FRAME	DP	IMPACT
36" x 96"	+50/-55	NO

### Installation Notes:

1. Seal flange/frame to substrate. Sill shall be set on a continuous serpentine bead of structural grade silicone caulk when no fastener is used to anchor the sill (typical).
2. Use 2 - #10 TEK Self-Tapping or larger screws through masonry strap with sufficient length to achieve a minimum penetration of three threads past the frame thickness. Steel substrate min. 18ga., fy = 33 ksi.
3. Use 2 - #8 PFH or larger fasteners through masonry strap into jamb without penetrating through the jamb into product causing visibility or collateral damage to product.
4. Host structure (wood buck, masonry, steel) to be designed and anchored to properly transfer all loads to the structure. The host structure is the responsibility of the architect or engineer of record for the project of installation.

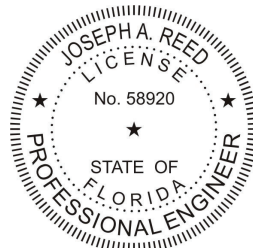
### General Notes:

1. The product shown herein is designed, tested and manufactured to comply with the wind load criteria of the adopted International Building Code (IBC), the International Residential Code (IRC), the current Florida Building Code (FBC) and the industry requirement for the stated conditions.
2. All glazing shall conform to ASTM E1300.
3. Use structural or composite shims where required.

This schedule addresses only the fasteners required to anchor the unit to achieve the rated design pressure and impact performance (where applicable) up to the size limitations noted. It is not intended as a guide to the installation process and does not address the sealing consideration that may arise in different wall conditions. For the complete installation procedure, see the instructions packaged with the unit or go to [www.jeld-wen.com](http://www.jeld-wen.com).

### DISCLAIMER:

This drawing and its contents are confidential and are not to be reproduced or copied in whole or in part or used or disclosed to others except as authorized by JELD-WEN Inc.



*Joseph A. Reed*

2020.02.11 08:21:01 -05'00'

JOSEPH A. REED, P.E.  
Florida P.E. No. 58920, REG. No. 33474  
5 Leigh Drive  
York, PA. 17406  
(717) 846-1200

DATE:  
02/06/2020

SCALE:  
NTS

**JELD WEN**

3737 LAKEPORT BLVD.  
KLAMATH FALLS OR, 97601  
PHONE: (800) 535-3936

DRAWN BY:  
J.HAWKINS

CHECKED BY:  
D.BELAU

APPROVED BY:  
K.BATH

RECORD No.:  
D015631

REPORT No.:

TITLE:

Auraline Composite Side Load Single Hung

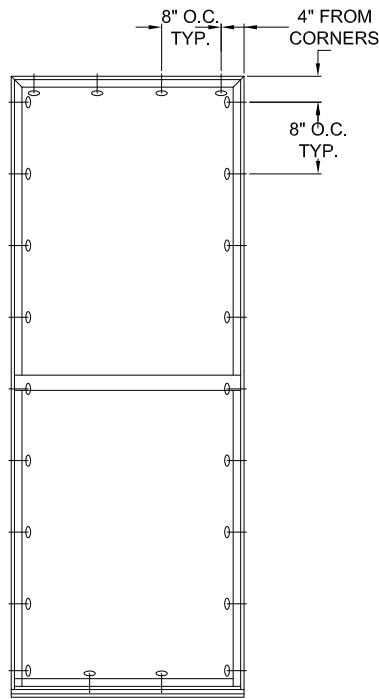
CAD DWG. No.:  
AuralineCompSLSH Cert

REV: A

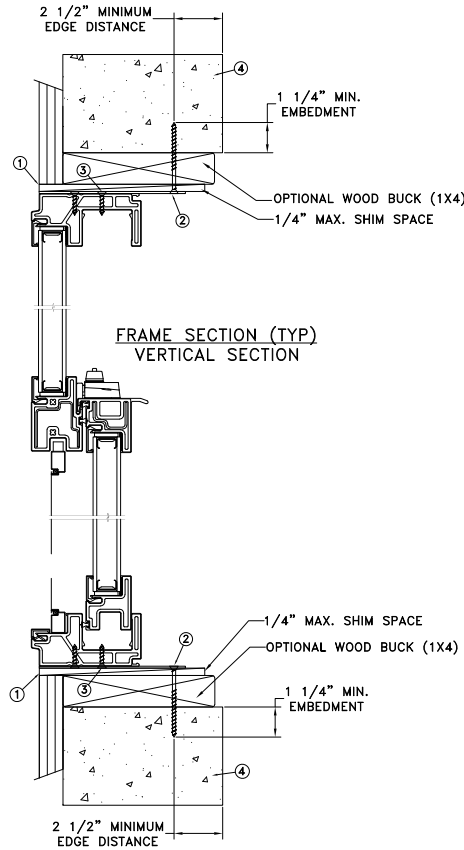
SHEET 8 of 9



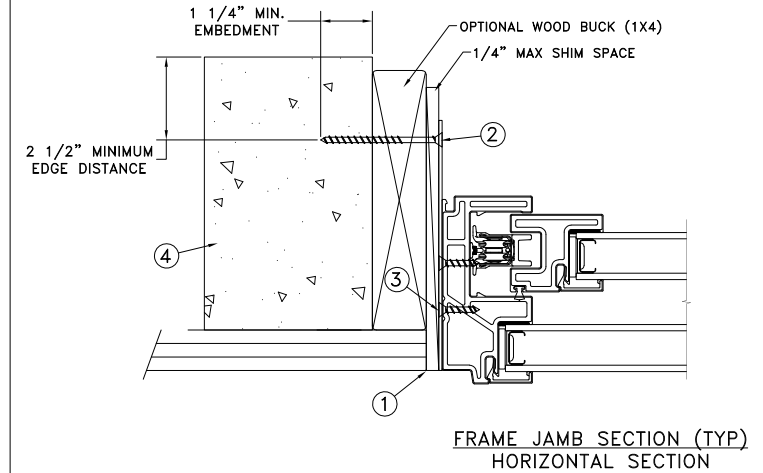
MASONRY STRAP CONCRETE  
SCREW INSTALLATION



TYPICAL ELEVATION WITH FASTENER SPACING



FRAME SECTION (TYP)  
VERTICAL SECTION



FRAME JAMB SECTION (TYP)  
HORIZONTAL SECTION

MAXIMUM FRAME	DP	IMPACT
36" x 96"	+50/-55	NO

**Installation Notes:**

1. Seal flange/frame to substrate. Sill shall be set on a continuous serpentine bead of structural grade silicone caulk when no fastener is used to anchor the sill (typical).
2. Use 1 - 3/16" Tapcon or equivalent fasteners through masonry strap with sufficient length to penetrate a minimum of 1 1/4" into the buck or concrete. For 2x wood frame substrate (min. S.G. = 0.42). For concrete (min. fc = 3000 psi) or masonry substrate (CMU shall be ASTM C90).
3. Use 2 - #8 PFH or larger fasteners through masonry strap into jamb without penetrating through the jamb into product causing visibility or collateral damage to product.
4. Host structure (wood buck, masonry, steel) to be designed and anchored to properly transfer all loads to the structure. The host structure is the responsibility of the architect or engineer of record for the project of installation.

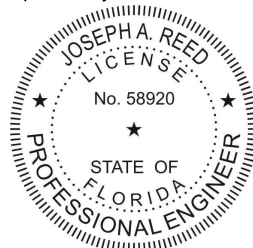
**General Notes:**

1. The product shown herein is designed, tested and manufactured to comply with the wind load criteria of the adopted International Building Code (IBC), the International Residential Code (IRC), the current Florida Building Code (FBC) and the industry requirement for the stated conditions.
2. All glazing shall conform to ASTM E1300.
3. Use structural or composite shims where required.

This schedule addresses only the fasteners required to anchor the unit to achieve the rated design pressure and impact performance (where applicable) up to the size limitations noted. It is not intended as a guide to the installation process and does not address the sealing consideration that may arise in different wall conditions. For the complete installation procedure, see the instructions packaged with the unit or go to [www.jeld-wen.com](http://www.jeld-wen.com).

**DISCLAIMER:**

This drawing and its contents are confidential and are not to be reproduced or copied in whole or in part or used or disclosed to others except as authorized by JELD-WEN Inc.



*Joseph A. Reed*

2020.02.11 08:21:01 -05'00'

JOSEPH A. REED, P.E.  
Florida P.E. No. 58920, REG. No. 33474  
5 Leigh Drive  
York, PA. 17406  
(717) 846-1200

DATE: 02/06/2020

DRAWN BY: J.HAWKINS

SCALE: NTS

CHECKED BY: D.BELAU

TITLE:

APPROVED BY: K.BATH

RECORD No.: D015631

REPORT No.:

**JELD-WEN**

3737 LAKEPORT BLVD.  
KLAMATH FALLS OR, 97601  
PHONE: (800) 535-3936

Auraline Composite Side Load Single Hung

CAD DWG. No.: AuralineCompSLSH Cert

REV: A

SHEET 9 of 9